

SLOPING POLE BRACKET

Fitted to any raked pole where equipment such as RRU (Remote Radio Unit) are to be easily and universally fitted.

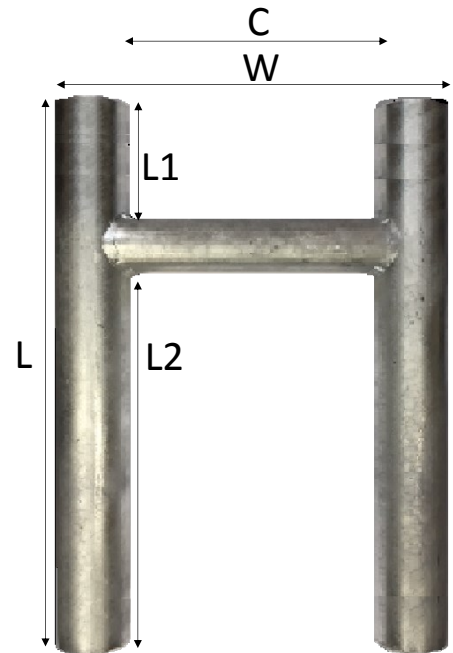
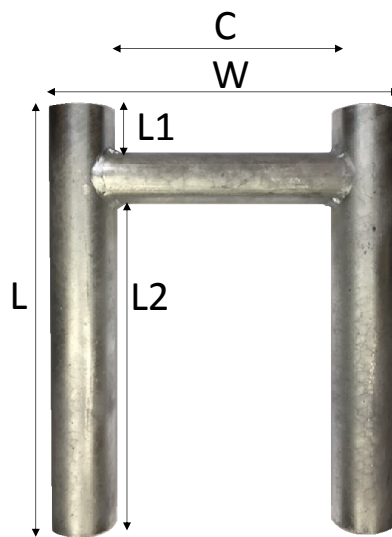
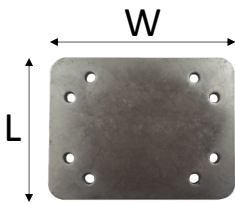
Each kit supplied complete with H Bracket, Crossover Plate, 2x U Bolts, 2x V Bolts and 2x Vinyl Tube Caps with a fitting range of 60mm-114mm CHS. (Use 12mm fixings).

Our standard sizes are listed below but we can manufacture to any size required.

Kit No.	Wt. Kg
4/SLP/076	15.12
4/SLP/176	19.12



Part No.	Description	L	L1	L2	C	W	Wt. Kg
3/COP/2050	Cross Over Plate	175	-	-	-	230	3.0
3/DTM/076	Dish Tilt Mount - 500	500	50	390	350	420	11.0
3/DTM/176	Dish Tilt Mount - 700	700	200	440	350	420	15.0



Typical Installation



Material CHS S355J2 & 10mm plate S355J2 to BS EN 10025-2. Galvanized to BS EN ISO 1461.