

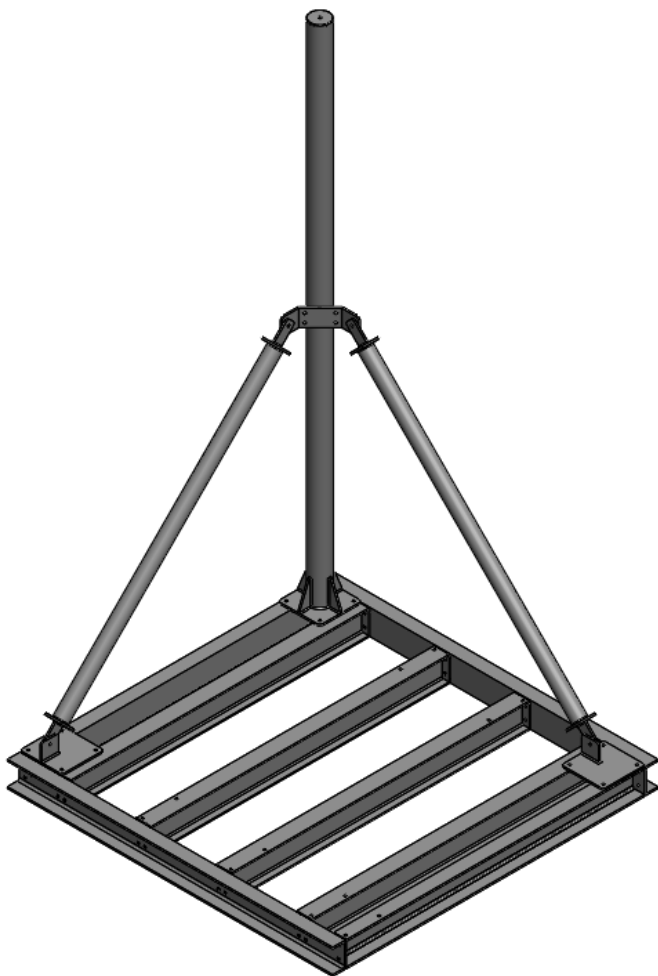
# FREE STANDING CORNER ROOF MOUNT ASSEMBLY

Corner Mount enables close proximity to the edge of roofs to allow unimpeded antenna coverage.

Choice of either 1 corner or 2 corner Mount.

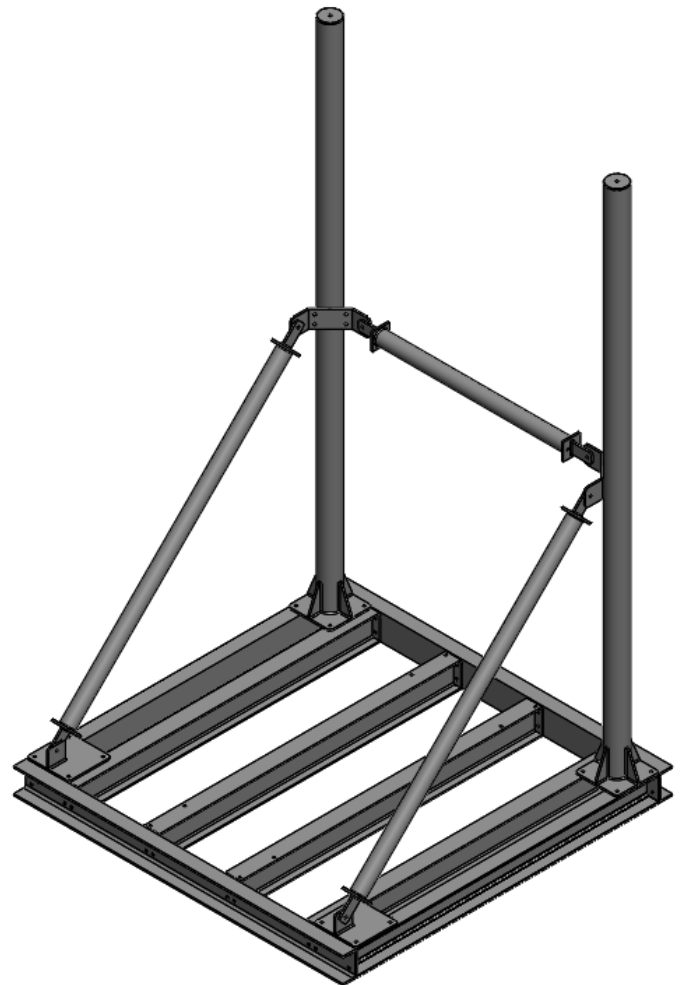
Complete with fixings and polystyrene roof protection which prevents penetrating rooftops. Concrete ballast not included, order separately if required.

Kit No.	Overall Height	Footprint	Clear Pole Length	Wt. Kg
5/RMA/C1/114/3000	3202	2000 x 2000	1100	378.0
5/RMA/C2/114/3000	3202	2000 x 2000	1145	444.0



1 Corner Mount

1 x 114.3 Diameter Heavy Duty Gantry Pole  
complete with base plate



2 Corner Mount

2 x 114.3 Diameter 3mtr Heavy Duty Gantry Pole  
complete with base plate

1 x 76.1 Diameter Horizontal Pole

Material to BS EN 10025-2. Galvanized to BS EN ISO 1461